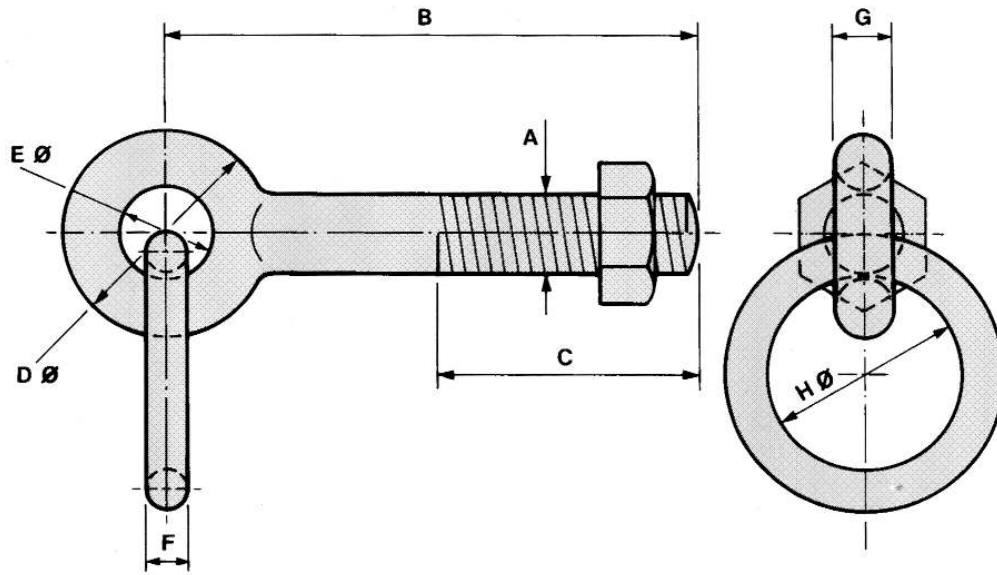


**Ring Eyebolts**

THREADS M6 - M100 (1/4" - 4")



**BFE  
29**

© Brooks Forgings Ltd 2008

**SPECIFICATIONS AVAILABLE**

**MATERIAL**  
CARBON STEELS  
STAINLESS STEELS  
ALLOY STEELS  
B7, 4.6, 5.6, 8.8

**NON STANDARDS  
AVAILABLE TO SUIT  
CUSTOMERS REQUIREMENTS**

**FINISH**  
SELF COLOUR  
GALVANISED  
ELECTROPLATED  
CHEMICAL BLACK  
PTFE COATING

tel. 01384 566772 fax. 01384 637380 web. [www.brooksforgeings.co.uk](http://www.brooksforgeings.co.uk)

**PAGE  
19**